

Eko Meeting Table

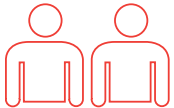
Assembly Instructions

Tools Required: Powered screwdriver.

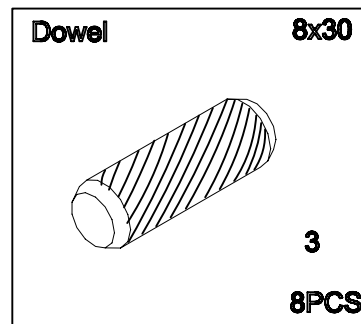
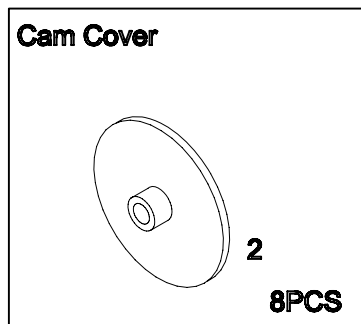
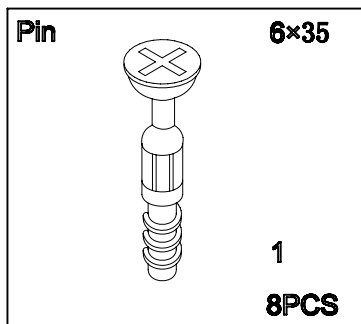
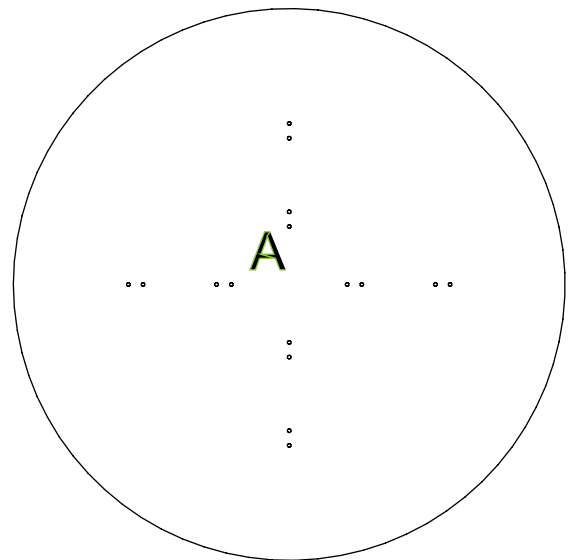
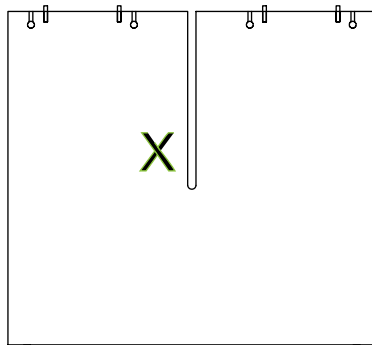
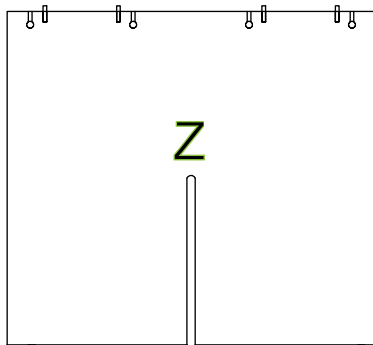


Assembly Instructions

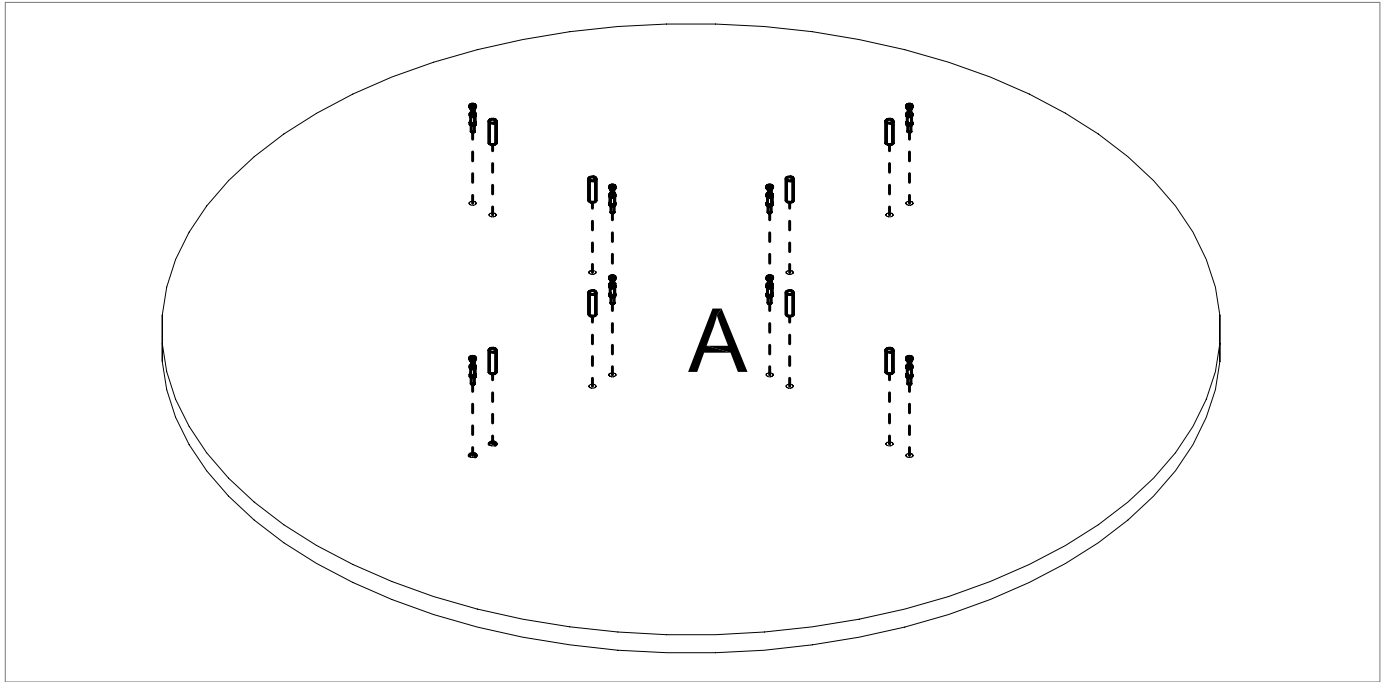
- To prevent possible scratches or damage, assemble the table upside down on a soft surface such as a blanket, carpet or packaging.
- Attach Leg to the top assembly by using bolts, spring washer, flat washer. Tighten using the allen wrench.



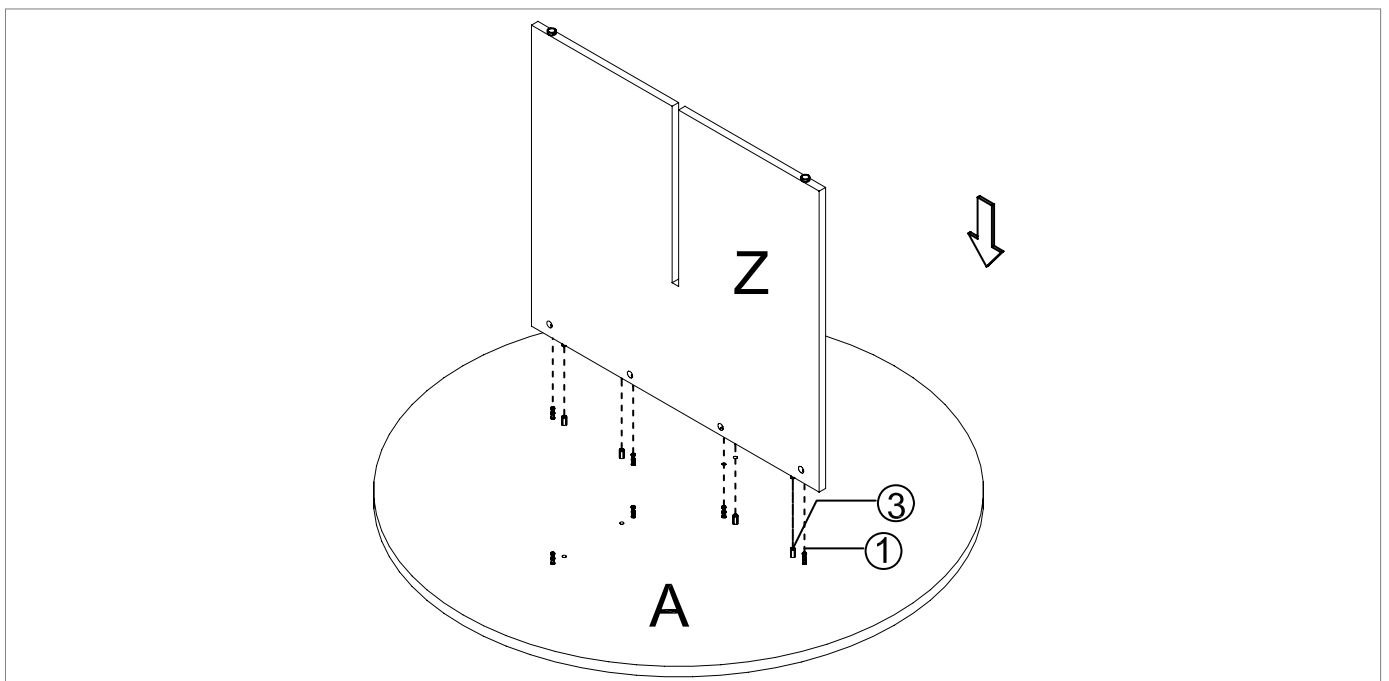
Recommended
2-person Step



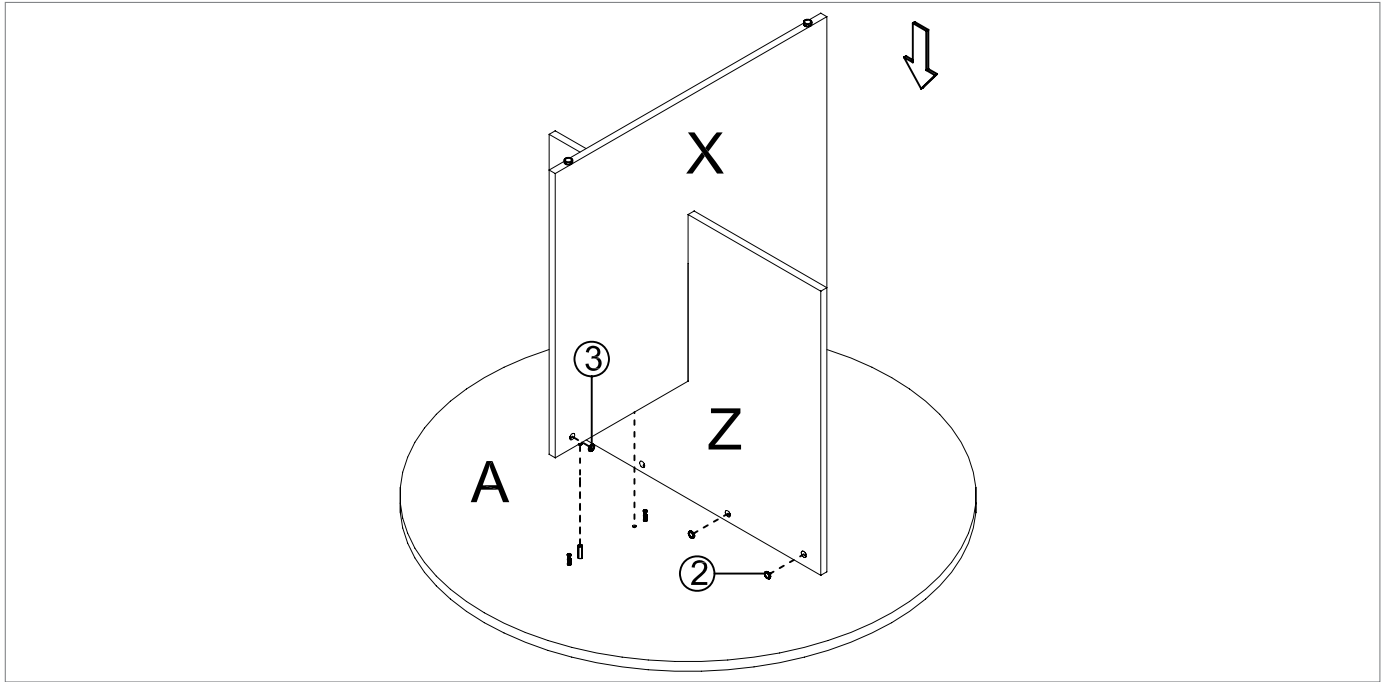
Step 1



Step 2



Step 3



Complete

